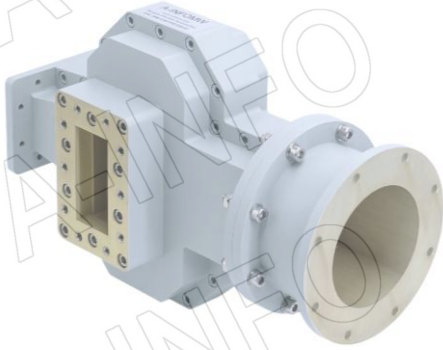


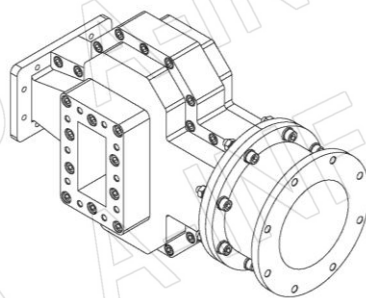
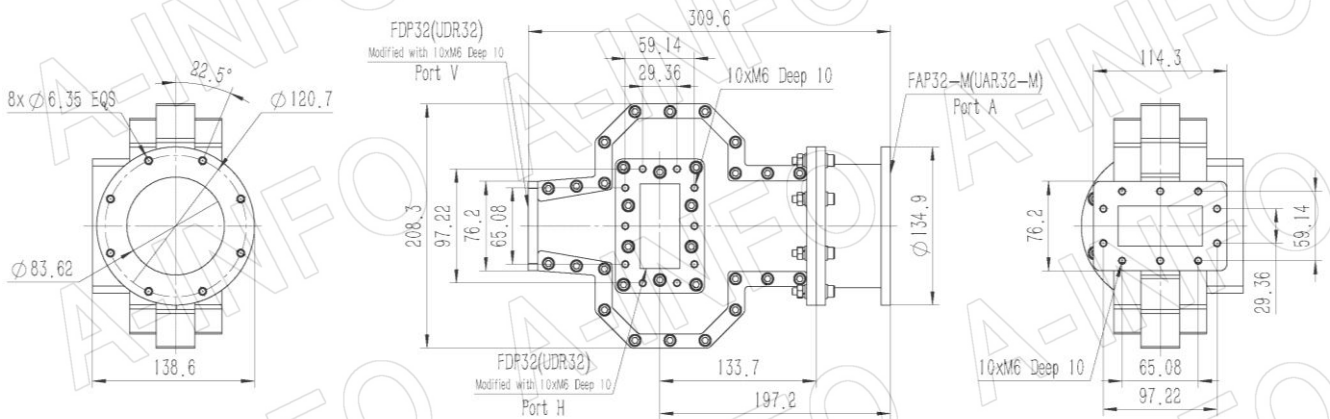
For reference only. See data sheet for the detailed specifications.

## Technical Specification



EIA WR	WR284
Frequency Range(GHz)	2.60 – 3.95
Bandwidth	Full
Common Port	83.62mm/ 3.29" Circular WG
Insertion Loss(dB)	0.4 Max.
VSWR	1.30:1 Typ.
Cross Pol. Isolation(dB)	50 Typ.; 40 Min.
Port to Port Isolation(dB)	50 Min.
Common Port Flange	FAP32-M(UAR32-M)
Flange	FDP32(UDR32) (Modified with 10xM6 Deep 10)
Material	Al
Size(mm)	309.6 x 138.6 x 208.3
Net Weight(Kg)	4.66 Around

## Outline Drawing (Size: mm)



## AINFO Inc.

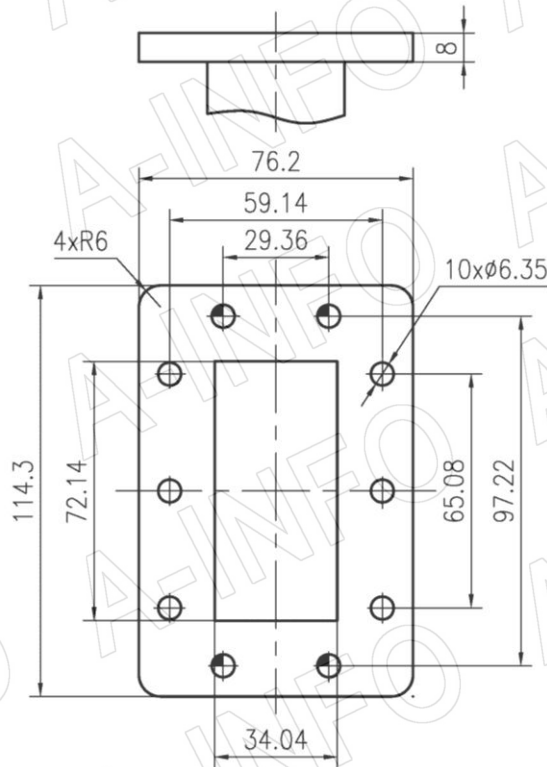
China(Beijing): Tel: (+86) 10-6266-7326,  
China(Chengdu): Tel: (+86) 28-8519-2786,  
USA : Tel: (+1) 949-639-9688,

Page 1 of 5

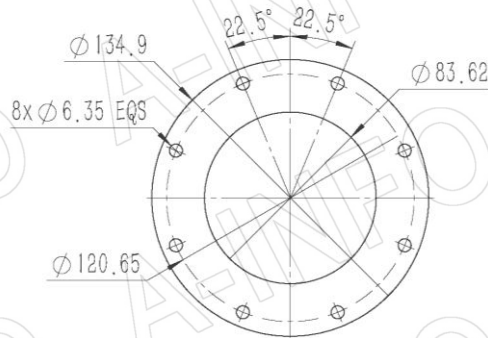
(+86) 10-6266-7327 Fax: (+86) 10-6266-7379  
(+86) 28-8519-3044 Fax: (+86) 28-8519-3068  
(+1) 949-639-9608 Fax: (+1) 949-639-9670

Website: [www.ainfoinc.com](http://www.ainfoinc.com)  
Email: [sales@ainfoinc.com](mailto:sales@ainfoinc.com)

## Flange Drawing (Size: mm)



FDP32



FAP32-M

## AINFO Inc.

China(Beijing): Tel: (+86) 10-6266-7326,  
 China(Chengdu): Tel: (+86) 28-8519-2786,  
 USA : Tel: (+1) 949-639-9688,

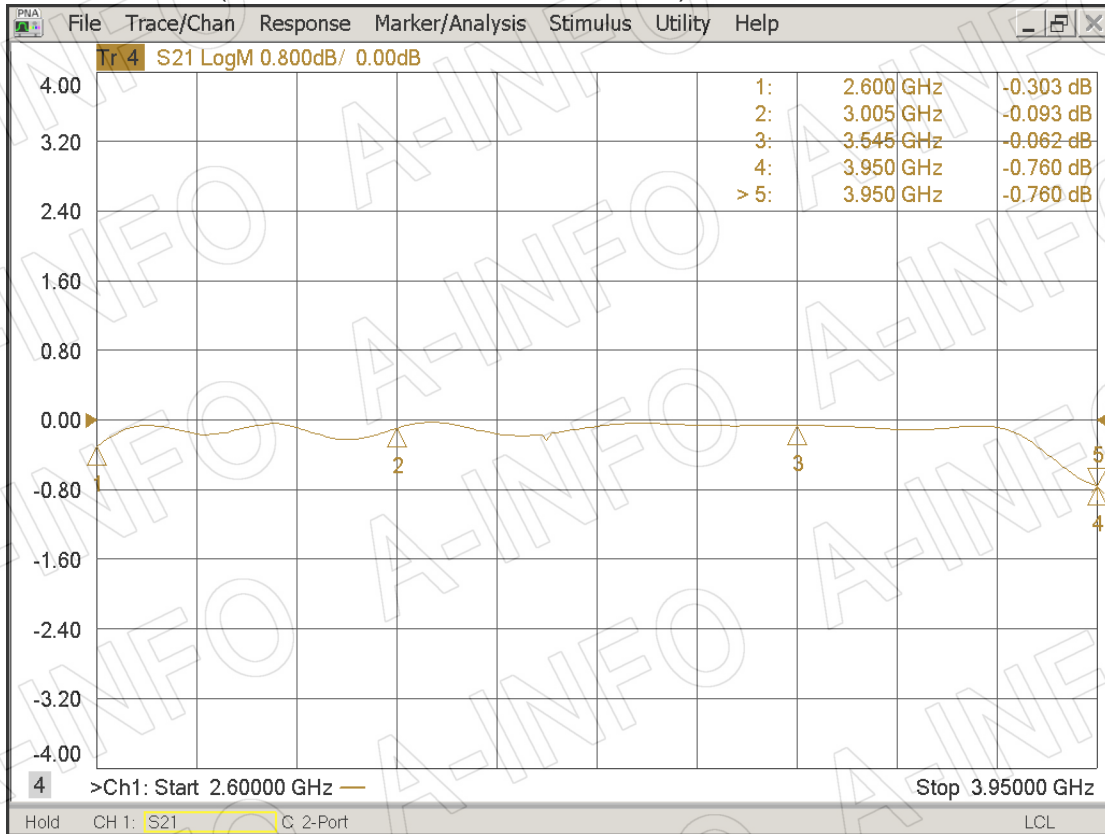
Page 2 of 5

(+86) 10-6266-7327 Fax: (+86) 10-6266-7379  
 (+86) 28-8519-3044 Fax: (+86) 28-8519-3068  
 (+1) 949-639-9608 Fax: (+1) 949-639-9670

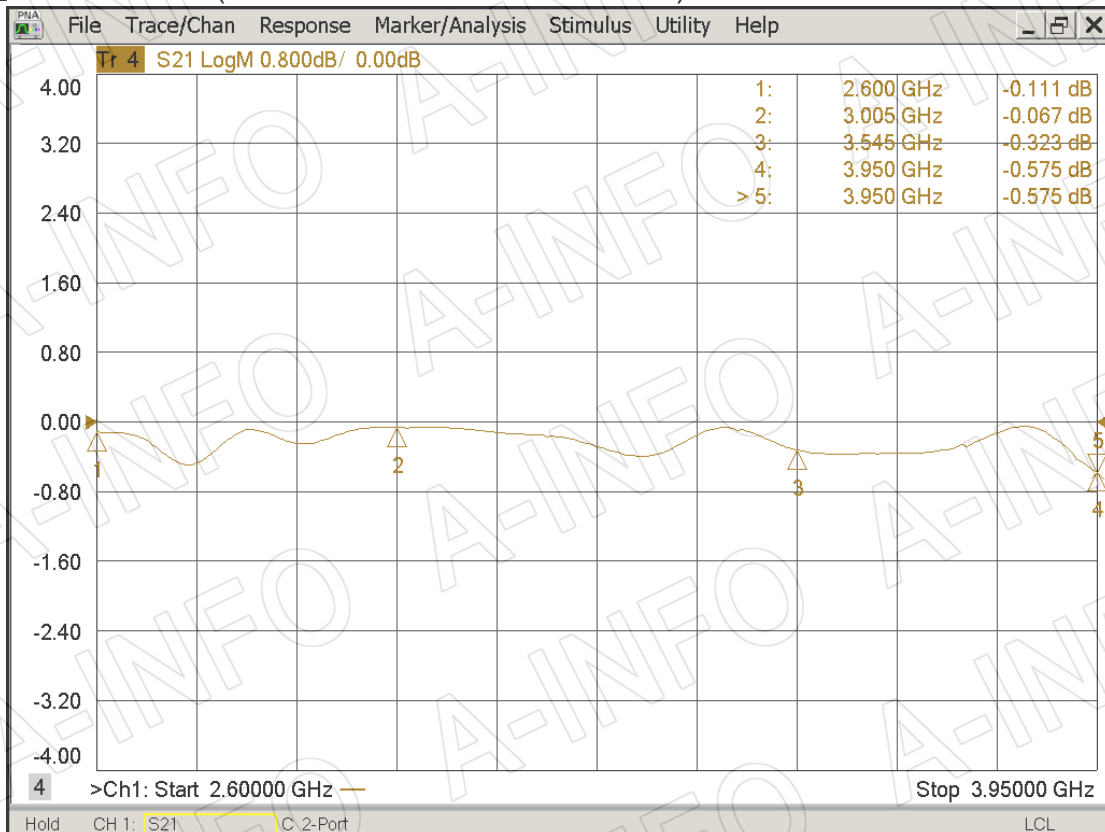
Website: [www.ainfoinc.com](http://www.ainfoinc.com)  
 Email: [sales@ainfoinc.com](mailto:sales@ainfoinc.com)

## Test Results

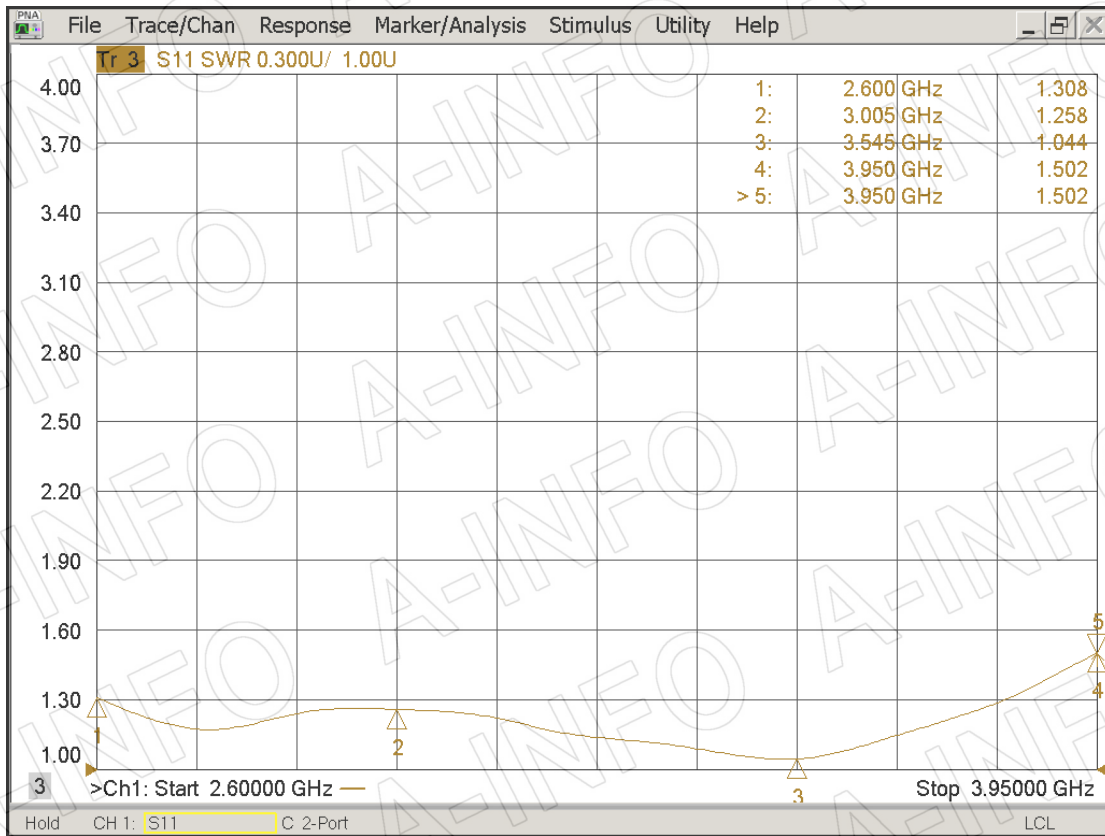
Port H\_ Insertion Loss(Test with two OMT back to back)



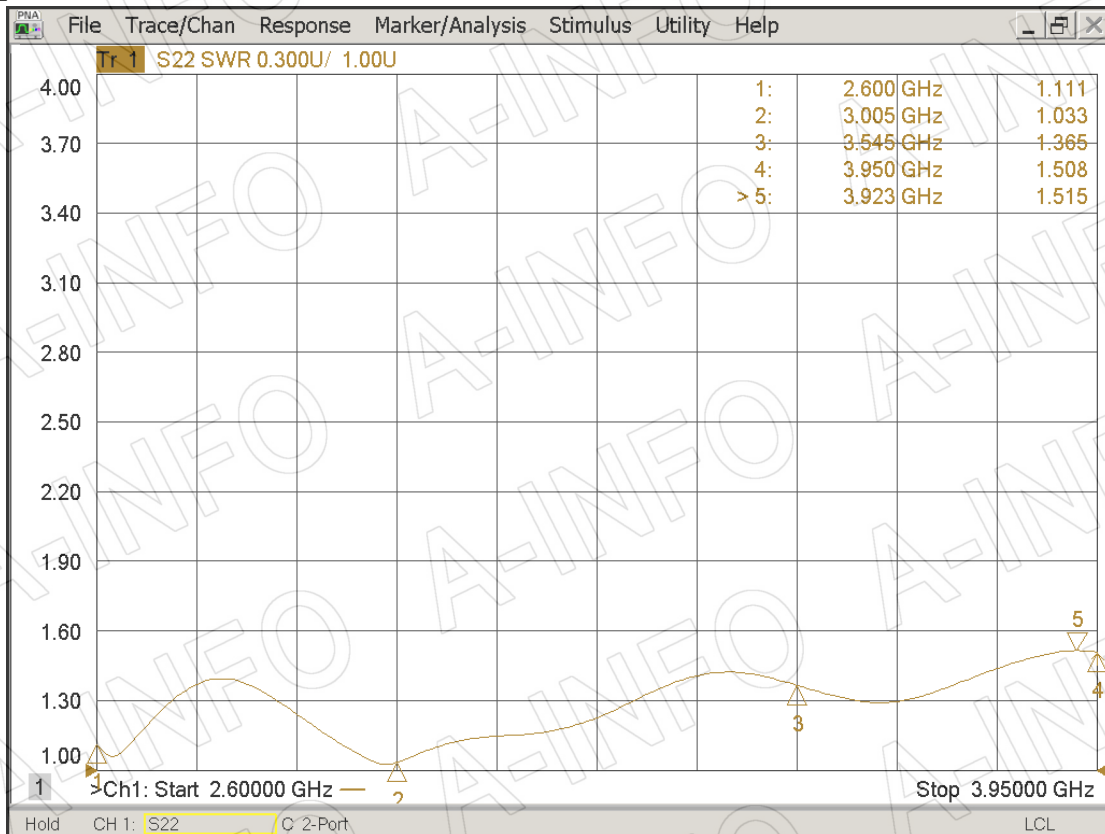
Port V\_ Insertion Loss(Test with two OMT back to back)



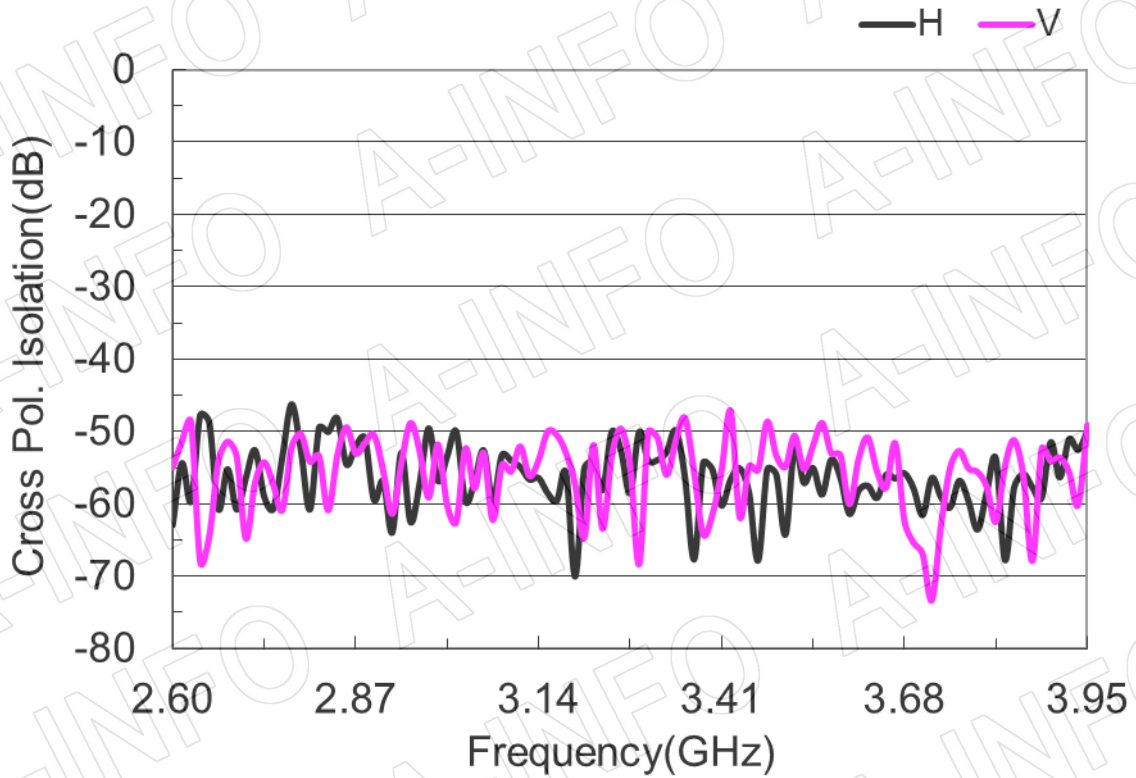
## Port H\_VSWR



## Port V\_VSWR



## Cross Polarization Isolation



## Port to Port Isolation

